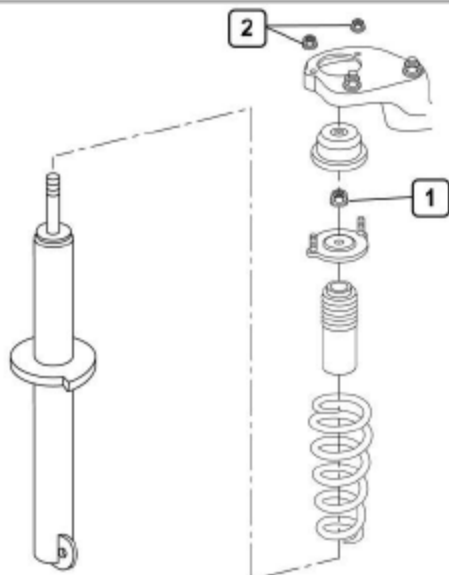


IN-202

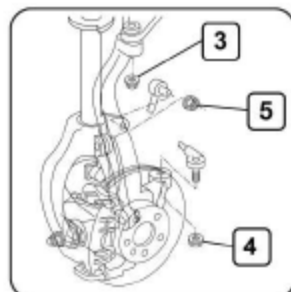
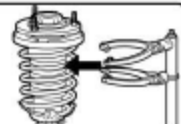


- 1** 33 Nm
- 2** 27 Nm
- 3** 122 Nm
- 4** 33 Nm

5 29 Nm



O.E.
KYB



IN-202

